

# FITZPATRICK® IR220

CHILSONATOR ROLL COMPACTION UNIT



## LOW CAPACITY LABORATORY UNIT

The Model IR220 Benchtop Roll Compactor is ideal for:

- Process formulation or development
- Research and laboratory projects
- Dust-free, small scale batch production

## BENEFITS

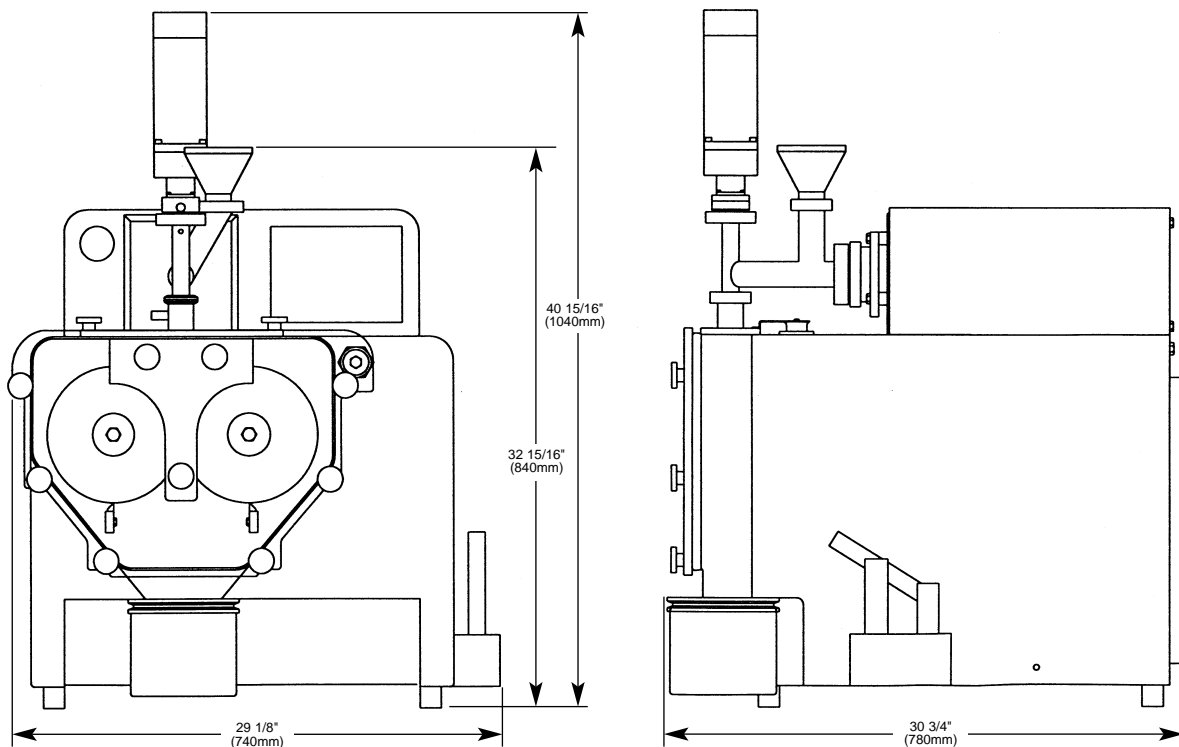
- Same process concept as larger Fitzpatrick Chilsonator Roll Compactor
- Results can be applied to larger production scale units
- Process batches as small as 50 grams and as large as 20 kgs./hr. with minimal loss
- Small size reduces cost and cleaning
- Easy to disassemble and clean
- Multiple roll configurations available
- Automated "operator friendly" PLC controls
- Totally enclosed process area
- Compact design
- Transparent cover to aid process viewing

**THE  
FITZPATRICK  
COMPANY**

## SPECIFICATIONS

### MODEL IR220® Chilsonator Roll Compactor

- Variable speed drives: Roll RPM: 1.0 to 14.0 RPM  
Vertical screw RPM: 50 to 250 RPM  
Horizontal screw RPM: 10 to 62 RPM
- Motor horsepower: Rolls: .75 HP (1 KW) DC  
Vertical screw: .375 HP (0.5 KW) DC  
Horizontal screw: .250 HP (0.33 KW) DC
- Multiple roll configurations available which include: sine curve, interlocking, knurled, smooth, and axial pocket
- Variable pressure capability
- Vacuum deaeration capability available
- Automated PLC controls with plugs for PC and printer connection
- Operating power is 220 volt single phase
- Easily disassembled product contact parts are manufactured of stainless steel or FDA-approved materials



**FITZPATRICK®**

CUTTING EDGE SOLUTIONS...IN PARTICLE AGGLOMERATION TECHNOLOGY

**"Trusted Provider of Creative Solutions Every Time, Everywhere, Guaranteed."**

#### CORPORATE HEADQUARTERS

832 Industrial Drive  
Elmhurst, IL 60126 USA  
Phone: 630-530-3333  
Fax: 630-530-0832  
E-mail:  
fitzpatrick\_company@compuserve.com

#### EASTERN DIVISION

4219 S. Clinton Ave.  
South Plainfield, NJ 07080 USA  
Phone: 908-561-1500  
Fax: 908-561-9636  
E-mail:  
fitzpatrick\_eastus@compuserve.com

#### FITZPATRICK EUROPE N.V.

Entrepotstraat 8  
B-9100 Sint-Niklaas, Belgium  
Phone: 32-3-777-7208  
Fax: 03-766-1084  
E-mail:  
fitzpatrick\_europe@compuserve.com